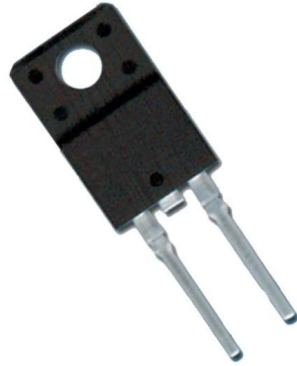


1. Finish Goods PKG photo



2. Packing method



Inner Box

Tube



Label

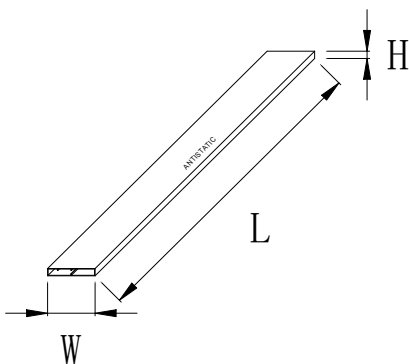


Fig.1- Tube pack for ITO-220AC

Table 1. Packing information

Package version	Tube dimensions L×W×H (mm)	Per Tube (pcs)	Tube Weight (Kg)	Tube per box	Inner box dimensions L×W×H (mm)	Inner box weight (Kg)	PCS/ Inner box	Outer box dimensions L×W×H (mm)	PCS/ Outer box	Outer box weight (Kg)
ITO-220AC	530*32*7	50	0.12	20	555*84*75	2.7	1000	580*380*175	8000	23

3. Product orientation

Standard product orientation ITO-220AC

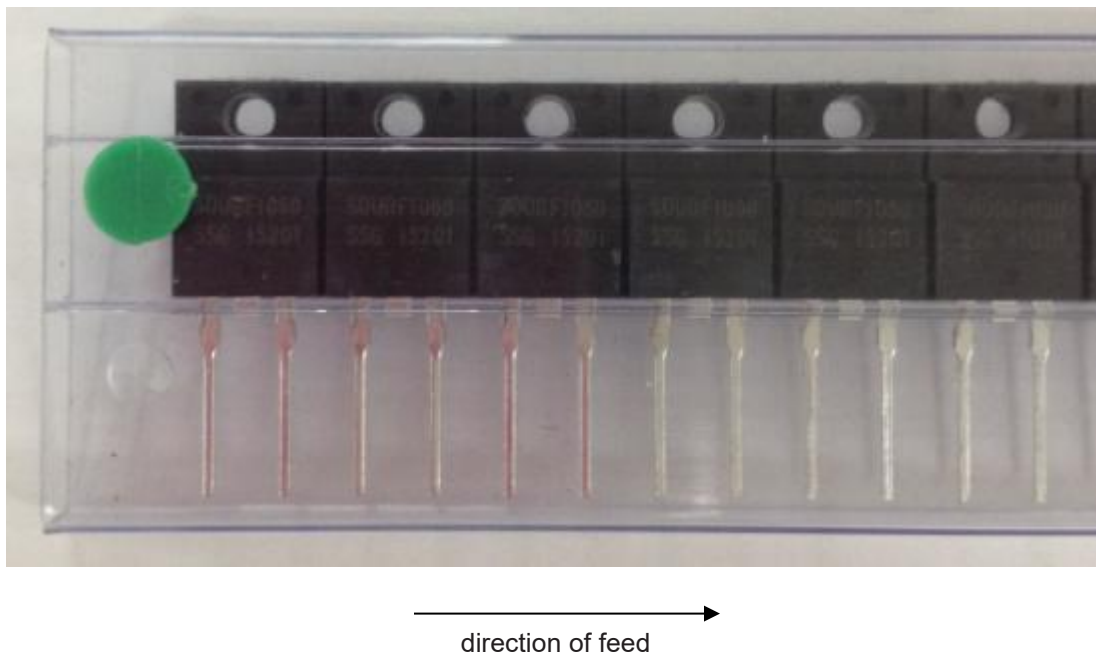


Fig 2. Product orientation in Tube